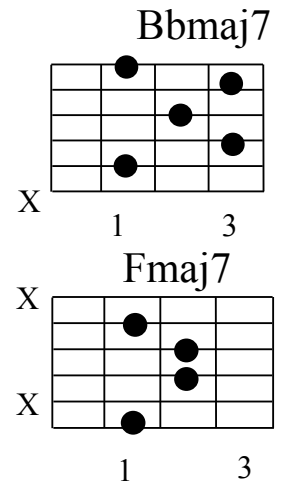
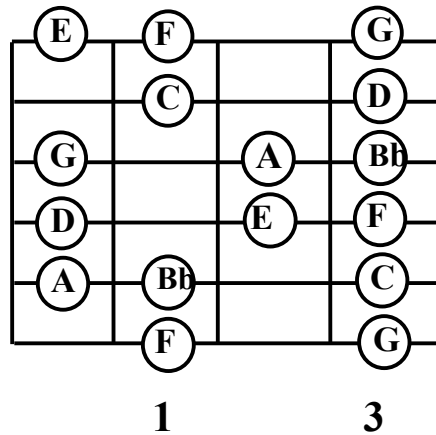
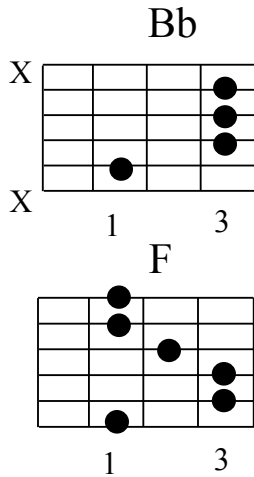


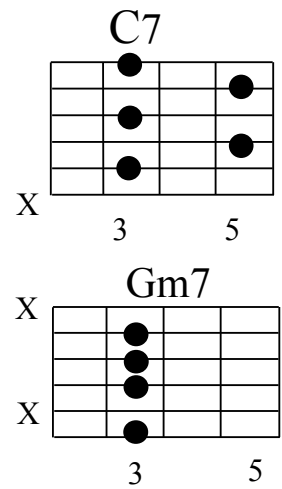
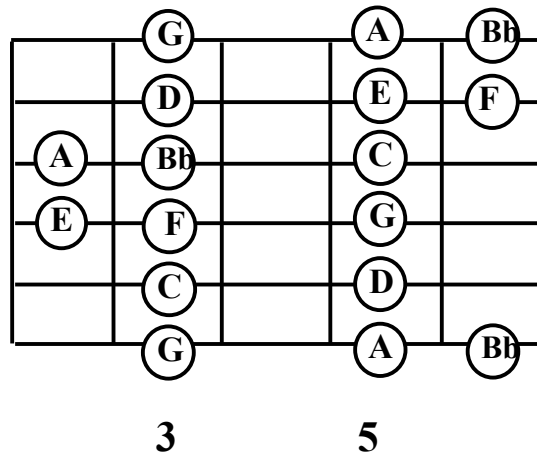
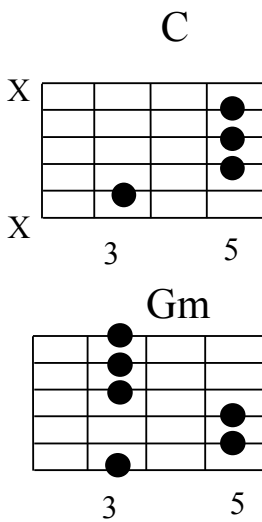
# Key of F Major:

<b>F</b>	<b>G</b>	<b>A</b>	<b>Bb</b>	<b>C</b>	<b>D</b>	<b>E</b>	<b>F</b>
<b>Do</b>	Re	Mi	Fa	So	La	Ti	<b>Do</b>
<i>Root</i>	2 <sup>nd</sup>	3 <sup>rd</sup>	4 <sup>th</sup>	5 <sup>th</sup>	6 <sup>th</sup>	7 <sup>th</sup>	<i>Octave</i>

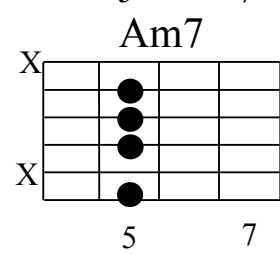
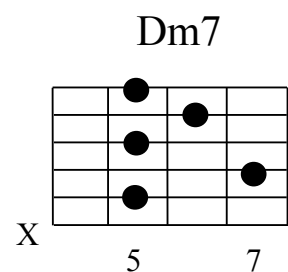
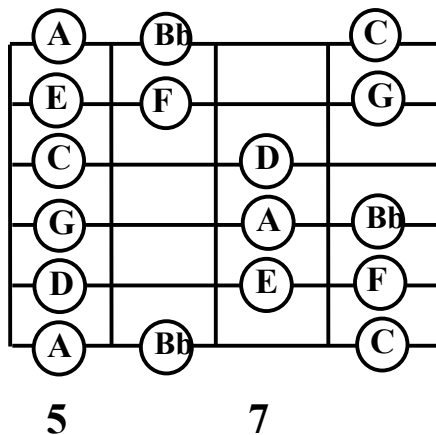
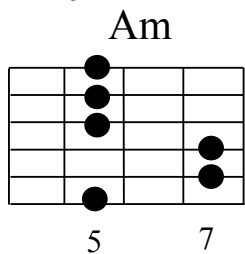
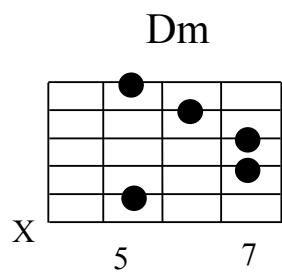
## Mode 1 - F Ionian



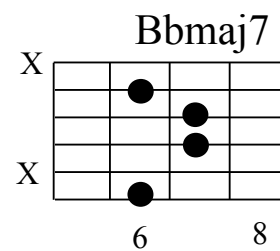
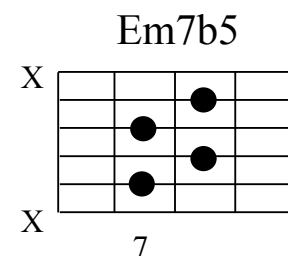
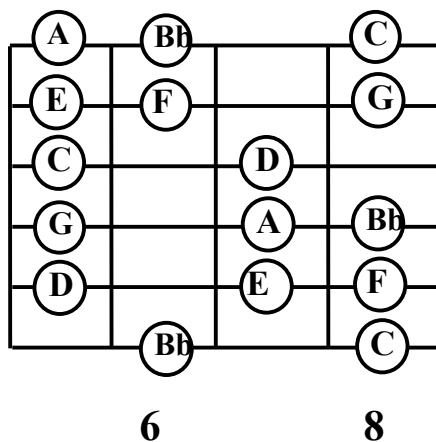
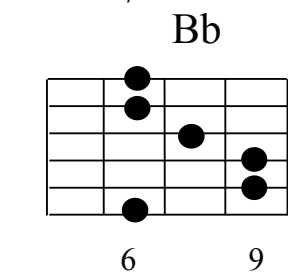
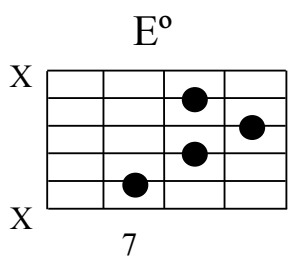
## Mode 2 - G Dorian



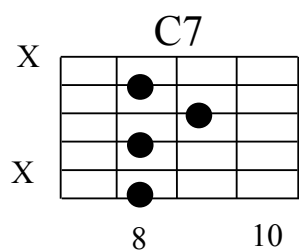
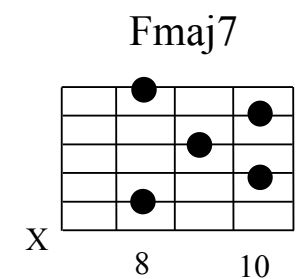
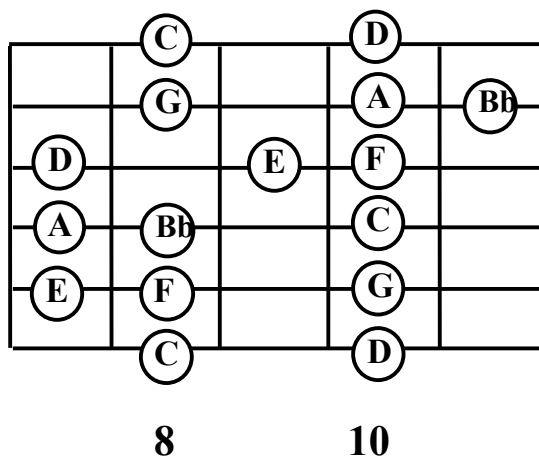
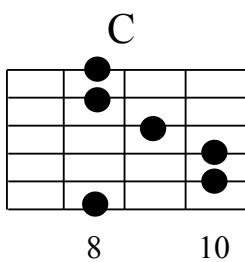
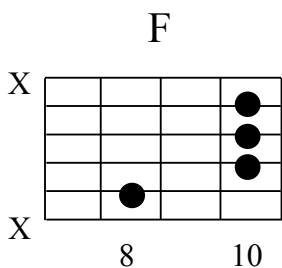
## Mode 3 - A Phrygian



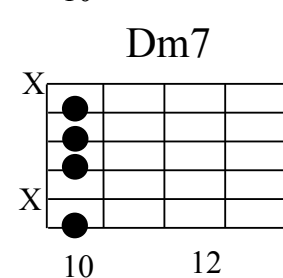
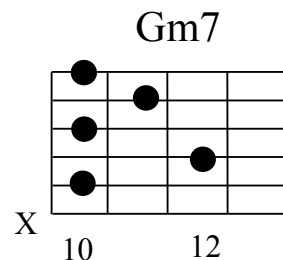
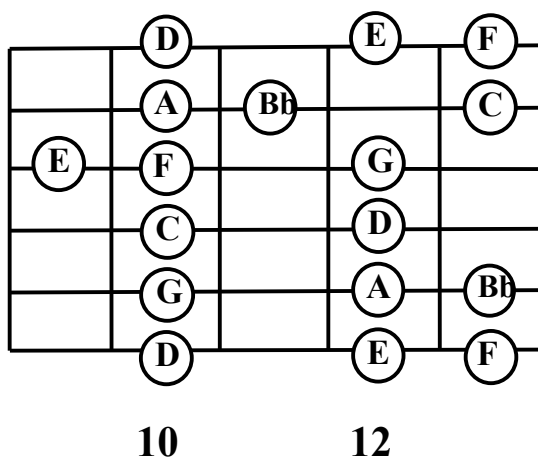
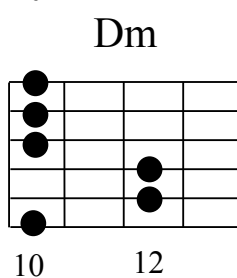
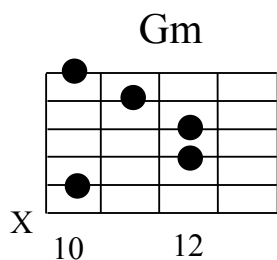
## Mode 4 - Bb Lydian



## Mode 5 - C Mixolydian



## Mode 6 - D Aeolian



## Mode 7 - E Locrian

Am

X

12 14

E°7

X

X

12

F# G A

A B C

E F# G

B C D

F# G A

0 1 2 3

Am7

12 14

Em7b5

X

X

12

## More Chords:

C13

X

X

8 10

C7#5

X

X

8

C9

X

3

A7b9

X

5 7

□ e y z b9

X

X

□ e □ e □ 5 □ e □ e □ e □ e □ e □ e

□ y7#9

X

X

□ e □ e □ 2 □ e □ e □ e □ e □ e □ e □ 5