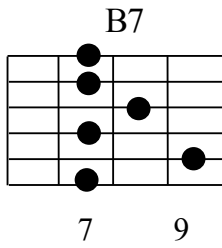
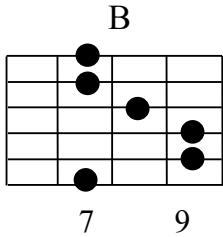


Pentatonic Scales

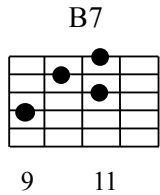
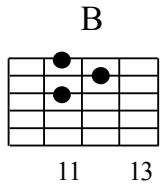
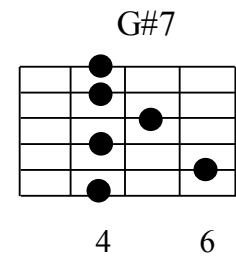
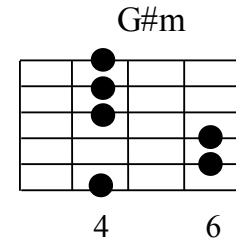
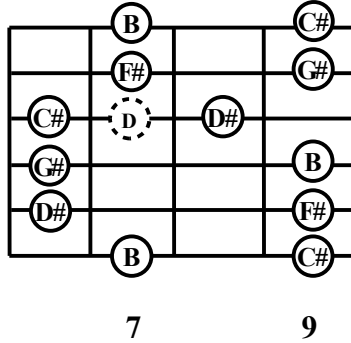
Key of B Major:

B	C#	D#	E	F#	G#	A	B	
Do	Re	Mi	Fa	So	La	Ti	Do	
Root	2nd	3rd	4th	5th	6th	7th	Octave	

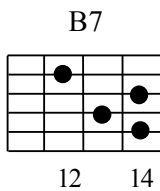
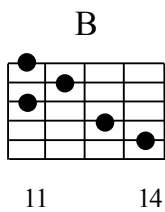
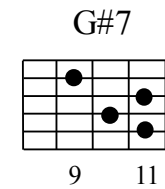
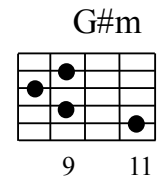
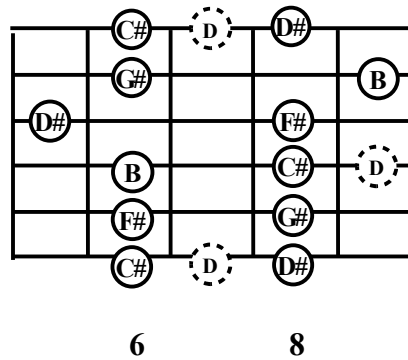
Blue Note = D
D is the minor 3rd



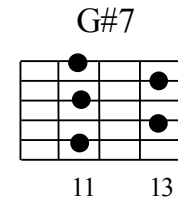
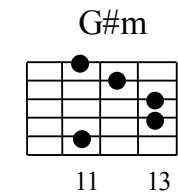
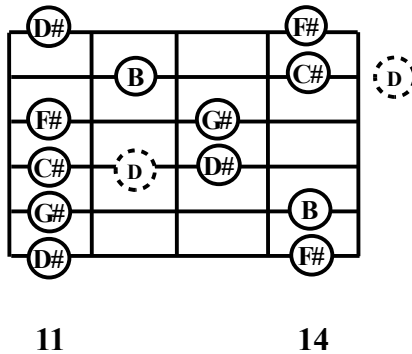
Skeleton of Box 1 (B Ionian)



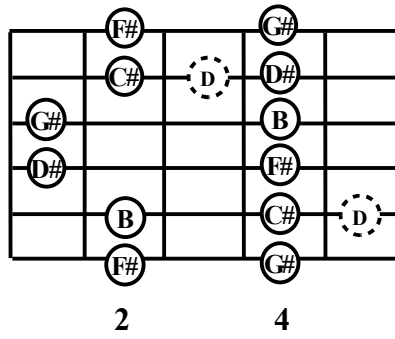
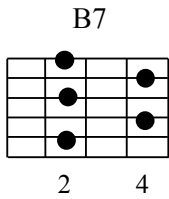
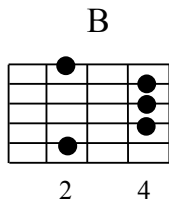
Skeleton of Box 2 (C# Dorian)



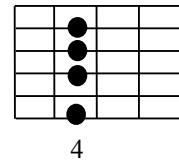
Skeleton of Box 3 (D# Phrygian)



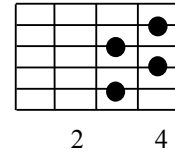
Skeleton of Box 5 (F# Mixolydian)



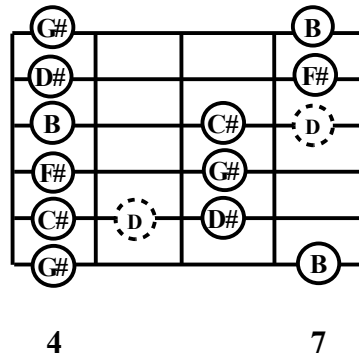
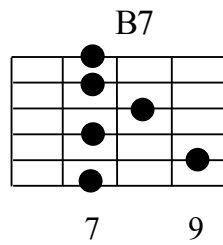
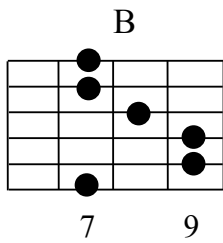
G#m7



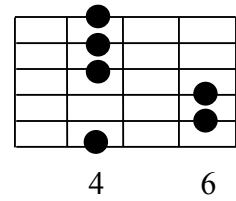
G#9



Skeleton of Box 6 (G# Aeolian)



G#m



G#7

